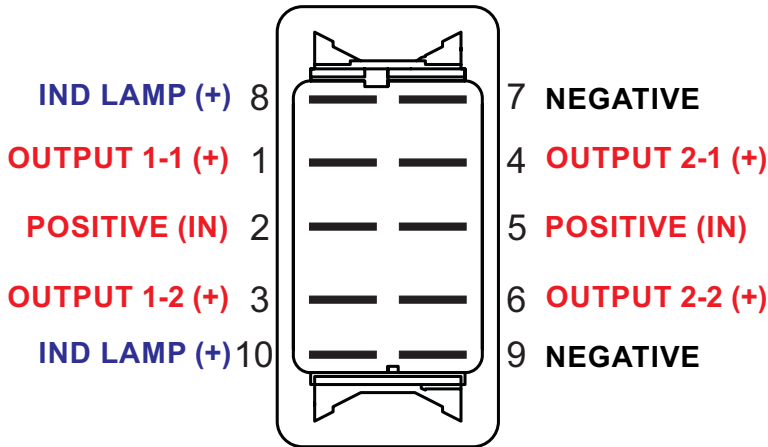
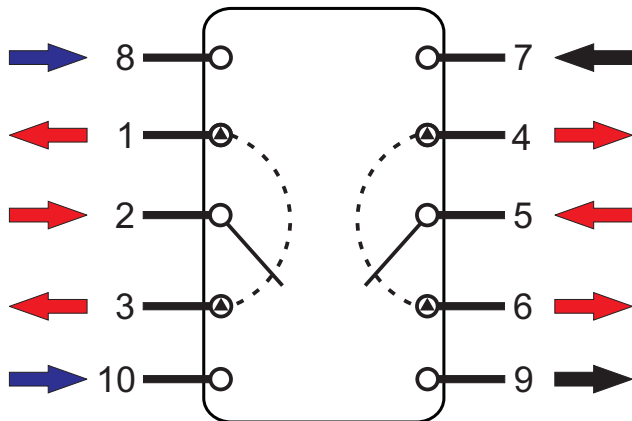
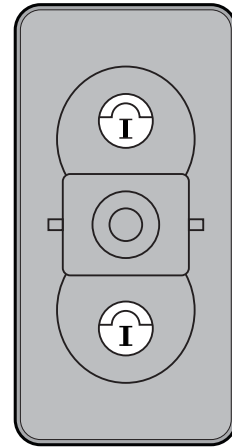


# (ON)-OFF-(ON) VLD2-U\_\_B

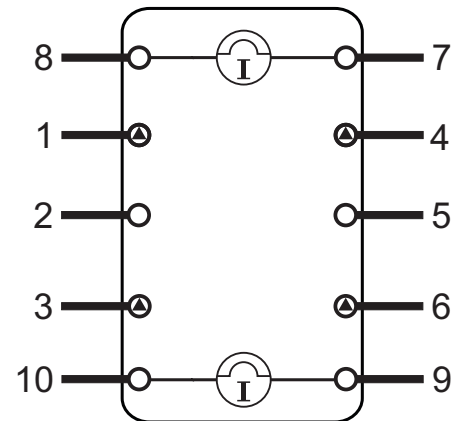
## TERMINALS



## LAMPS



CIRCUIT  
DIAGRAM



LIGHTING  
DIAGRAM

[www.NewWireMarine.com](http://www.NewWireMarine.com)

### KEY

- Ⓟ DEPENDENT LAMP OR LED
- Ⓡ INDEPENDENT LAMP OR LED
- OTHER POSITION
- ➡ LOAD CURRENT IN/OUT
- ➡ INDEPENDENT LAMP TRIGGER
- ➡ NEGATIVE RETURN CURRENT
- Ⓡ/(ON) MOMENTARY CIRCUIT