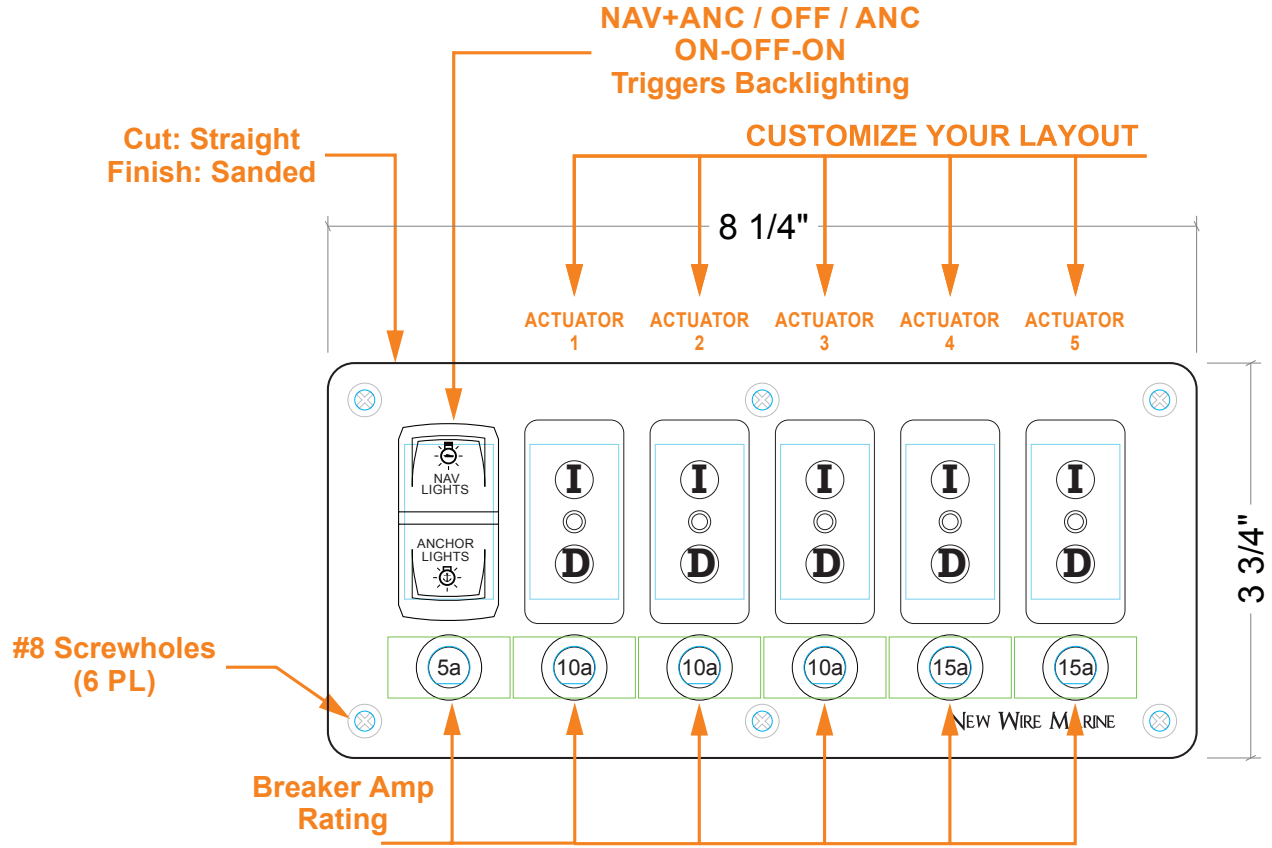


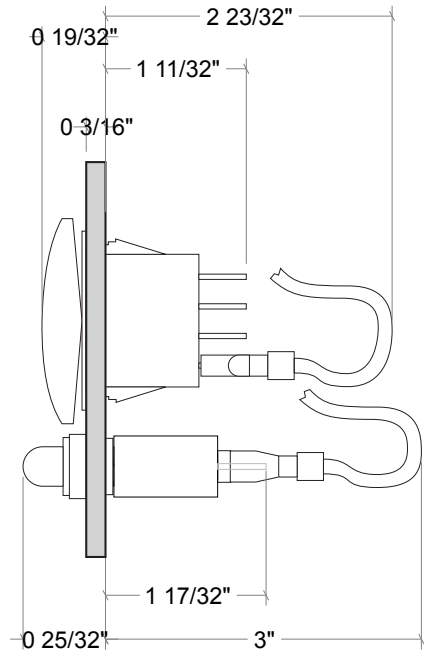
- KEY**
- Blue Cut through
  - Green Components, behind
  - Black Components, front
  - Orange Callouts, Notes
  - Yellow Pocket, Rear
  - ON Latching
  - (ON) Momentary
  - ⊙ Pan Head
  - ⊙ Countersink
  - ⊙ Drill In Accordance With Customer Template



4695 Franchise St.  
Charleston, SC 29418  
(843) 297-8348  
sales@newwiremarine.com



**SIDE VIEW**



NWM Part #:	<b>NWM1096</b>	
NWM SKU:		
Designed:	Name:	Date:
Drawn:		
Approved:		

**DRAWINGS MAY NOT BE TO SCALE**

**SWITCH TYPE**



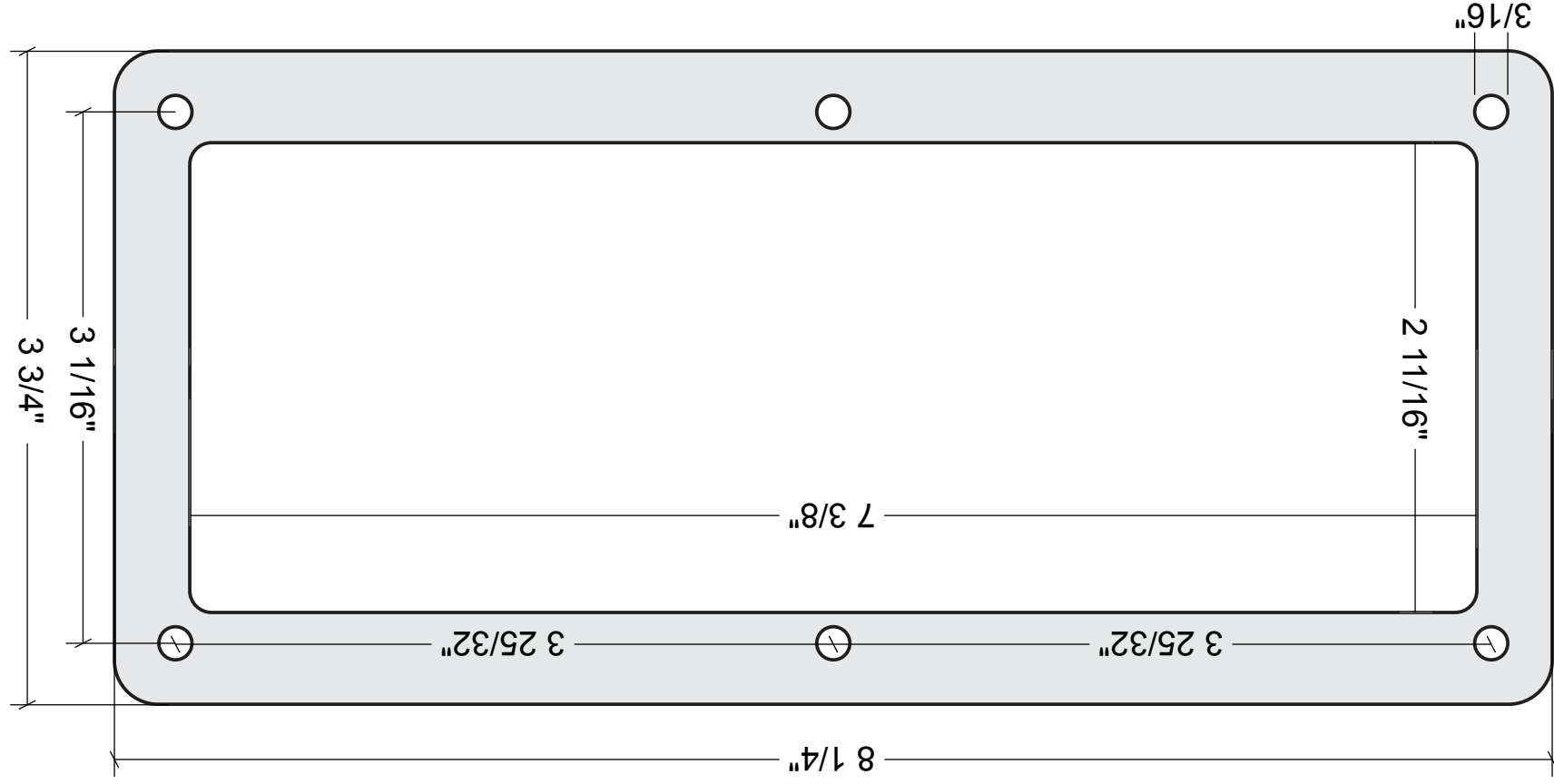
Warm White Backlit 20a Max Rating

**REVISIONS**

REV	DATE	DESCRIPTION	INT



4695 Franchise St.  
Charleston, SC 29418  
(843) 297-8348  
sales@newwiremarine.com



Test against ruler to ensure proper size



Part #	NWM1096
Rev #	1
Rev Date	09/18/24

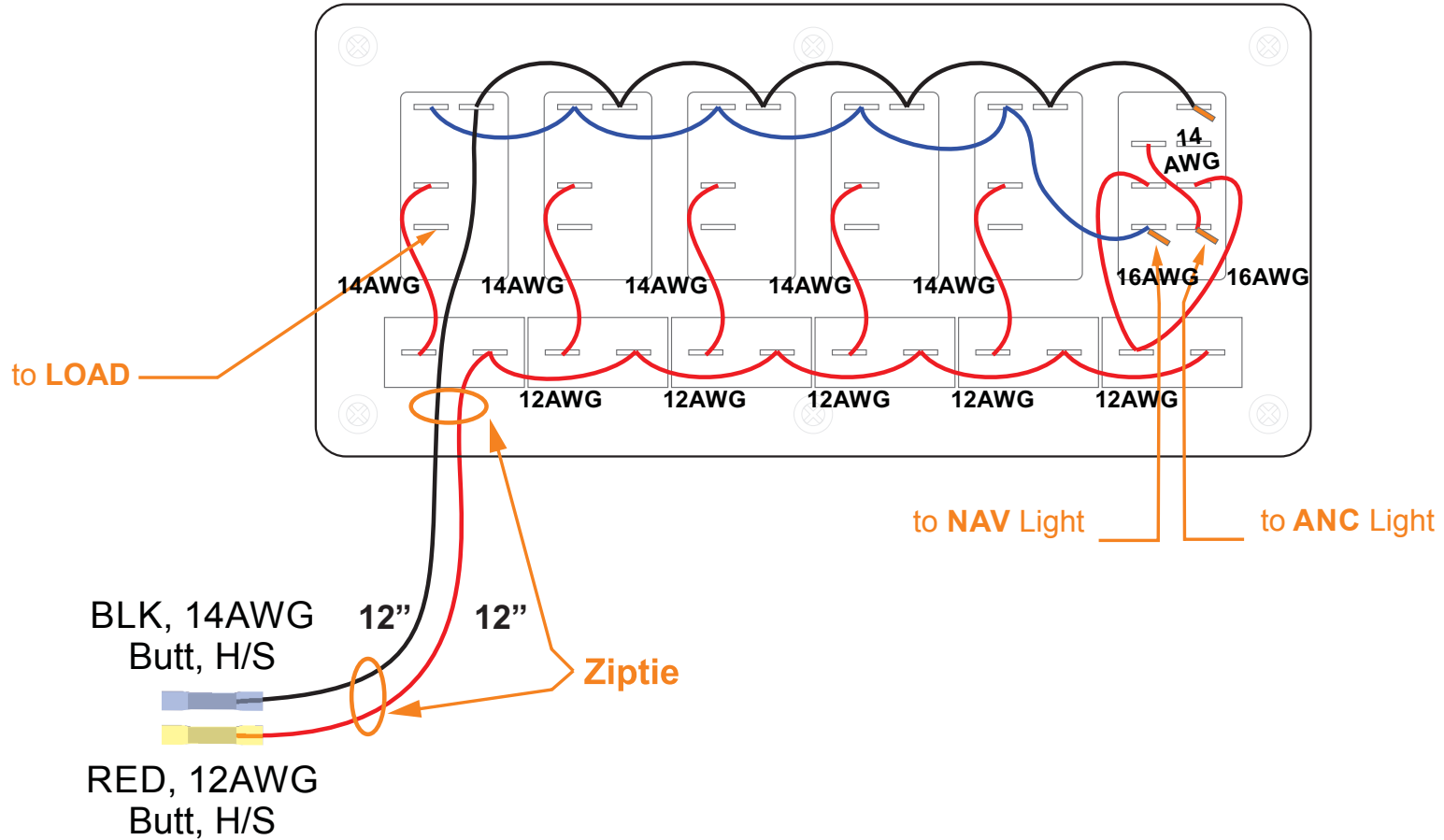
Drawing printed to scale on standard 8.5"x11" paper

- KEY**
- Blue Cut through
  - Green Components, behind
  - Black Components, front
  - Orange Callouts, Notes
  - Yellow Pocket, Rear
  - ON Latching
  - (ON) Momentary
  - ⊙ Pan Head
  - ⊙ Countersink
  - ⊙ Drill In Accordance With Customer Template



4695 Franchise St.  
Charleston, SC 29418  
(843) 297-8348  
sales@newwiremarine.com

## Viewed from Rear



NWM Part #:	<b>NWM1096</b>	
NWM SKU:		
Designed:	Name:	Date:
Drawn:		
Approved:		

**DRAWINGS MAY NOT BE TO SCALE**

REVISIONS	REV	DATE	DESCRIPTION	INT