

- KEY**
- Blue Cut through
 - Green Components, behind
 - Black Components, front
 - Orange Callouts, Notes
 - Yellow Pocket, Rear
 - ON Latching
 - (ON) Momentary
 - ⊕ Pan Head
 - ⊙ Countersink
 - ⊗ Drill In Accordance With Customer Template



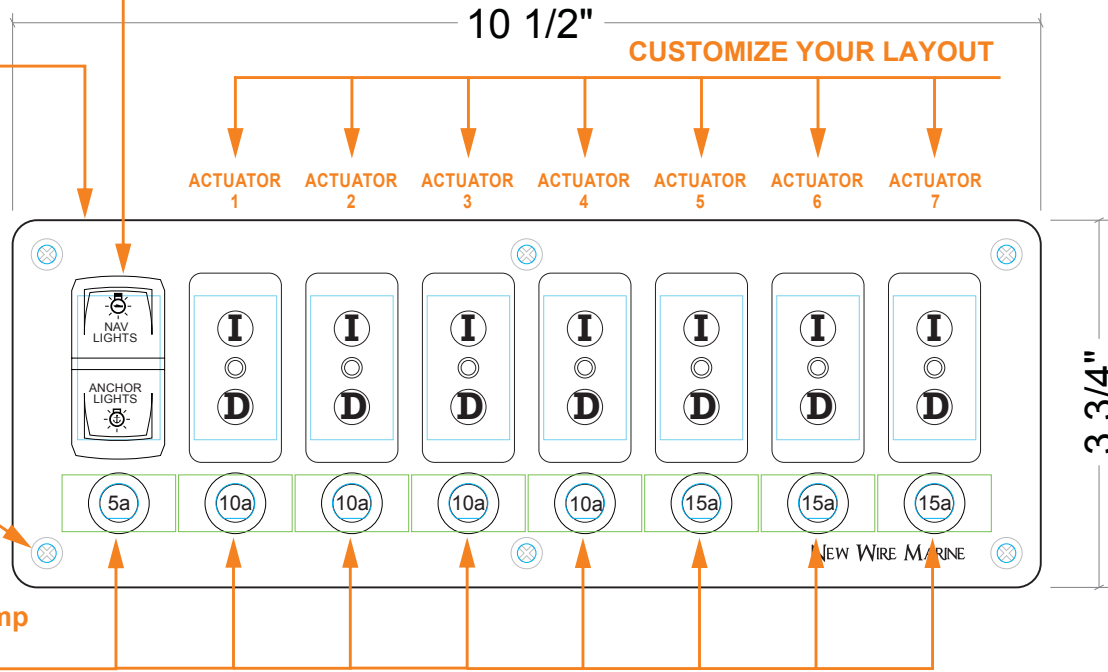
4695 Franchise St.
Charleston, SC 29418
(843) 297-8348
sales@newwiremarine.com

NAV+ANC / OFF / ANC
ON-OFF-ON
Triggers Backlighting

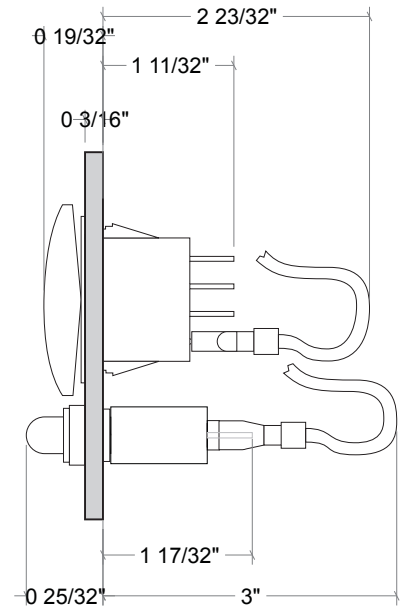
Cut: Straight
Finish: Sanded

#8 Screwholes
(6 PL)

Breaker Amp
Rating



SIDE VIEW



NWM Part #:	NWM1099	
NWM SKU:		
Designed:	Name:	Date:
Drawn:		
Approved:		

**DRAWINGS MAY
NOT BE TO SCALE**

SWITCH TYPE



1/6 ACC
Blue LED Backlit
20a Max Rating

REVISIONS

REV	DATE	DESCRIPTION	INT

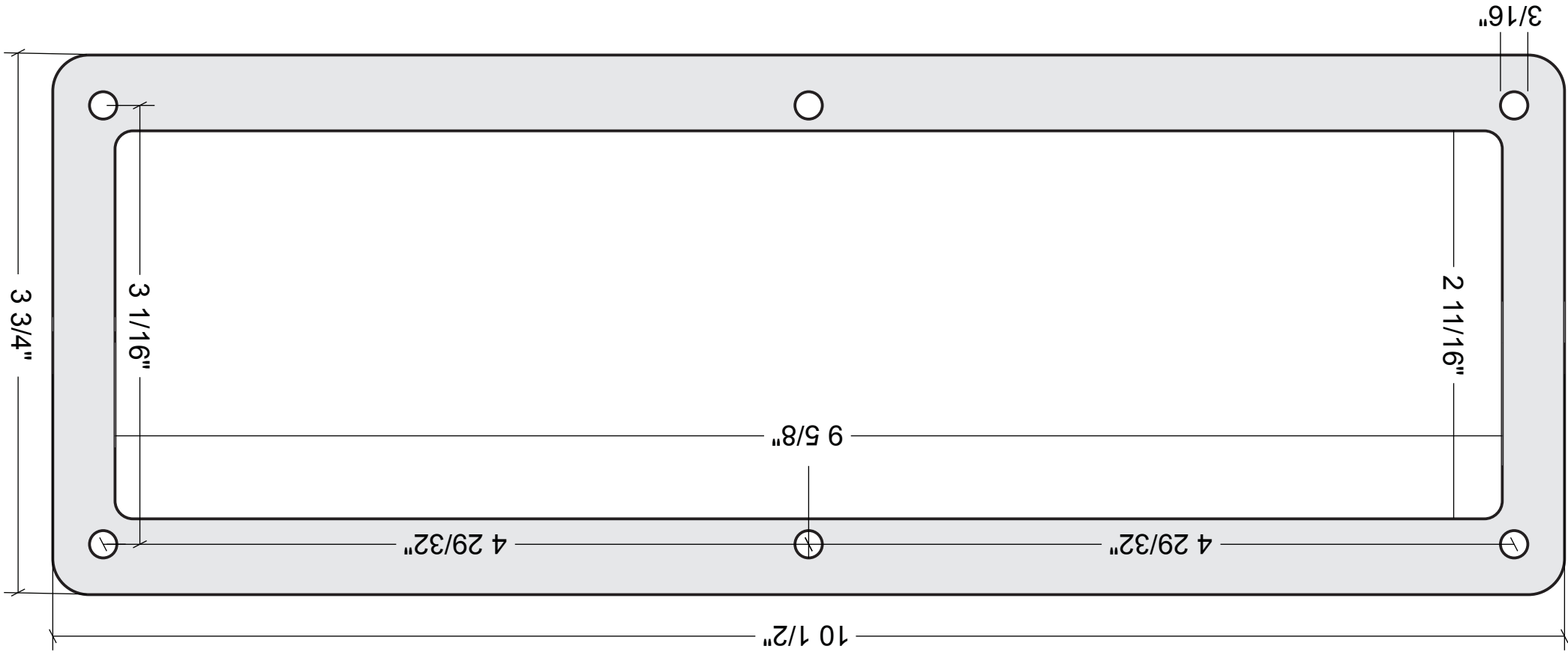
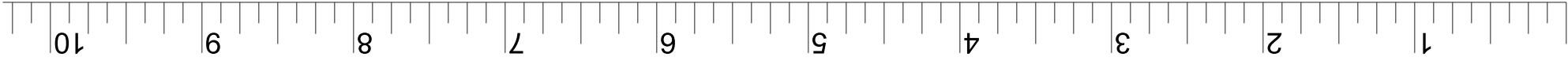


CUSTOM DASH

PANELS

4695 Franchise St.
 Charleston, SC 29418
 (843) 297-8348
 sales@newwiremarine.com

Test against ruler to ensure proper size



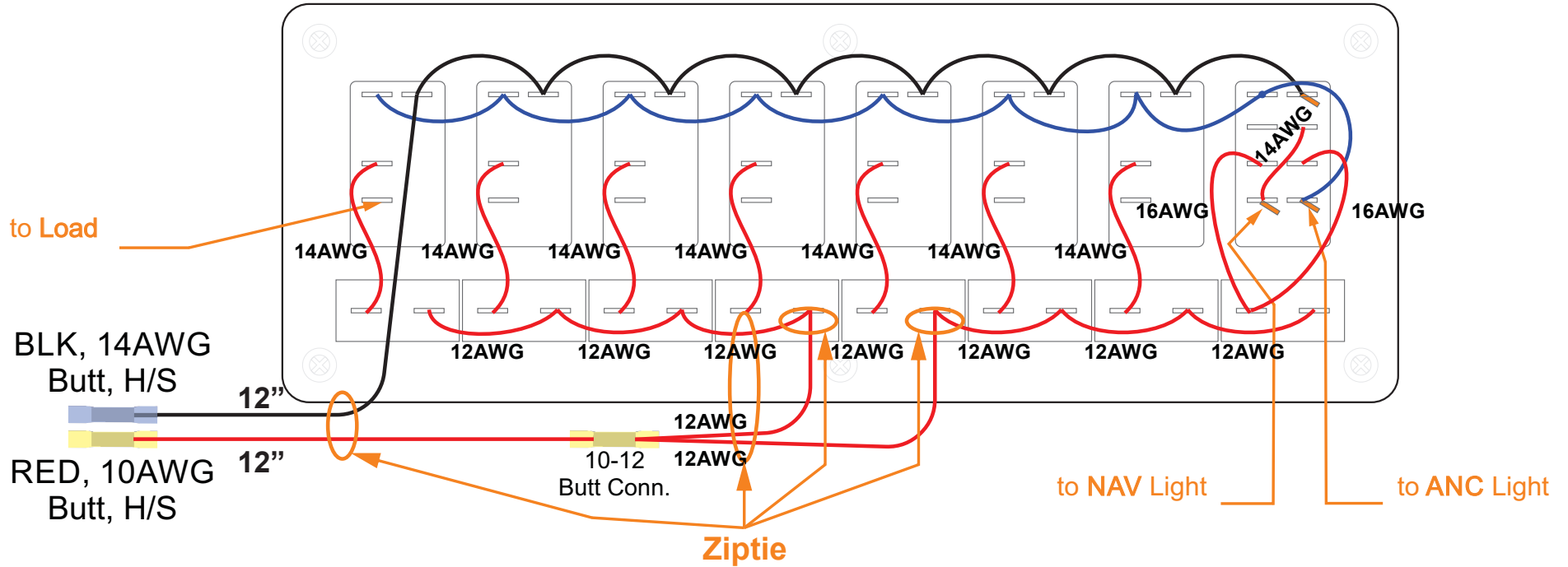
Part #	NWM1099
Rev #	1
Rev Date	09/18/24

- KEY**
- Blue Cut through
 - Green Components, behind
 - Black Components, front
 - Orange Callouts, Notes
 - Pocket, Rear
 - ON Latching
 - (ON) Momentary
 - ⊙ Pan Head
 - ⊙ Countersink
 - ⊙ Drill In Accordance With Customer Template



4695 Franchise St.
Charleston, SC 29418
(843) 297-8348
sales@newwiremarine.com

Viewed from Rear



NWM Part #:	NWM1099	
NWM SKU:		
Designed:	Name:	Date:
Drawn:		
Approved:		

**DRAWINGS MAY
NOT BE TO SCALE**

REVISIONS	REV	DATE	DESCRIPTION	INT