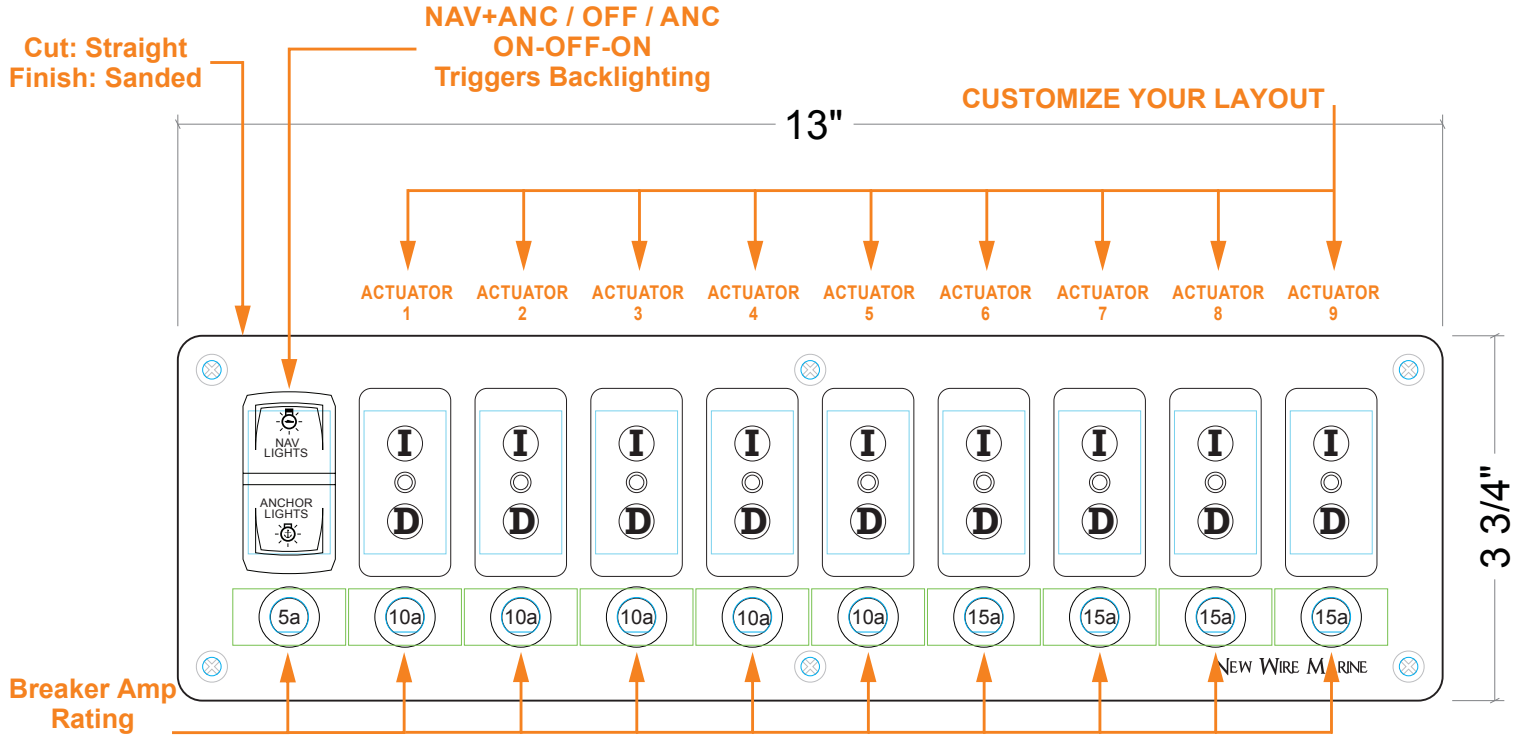


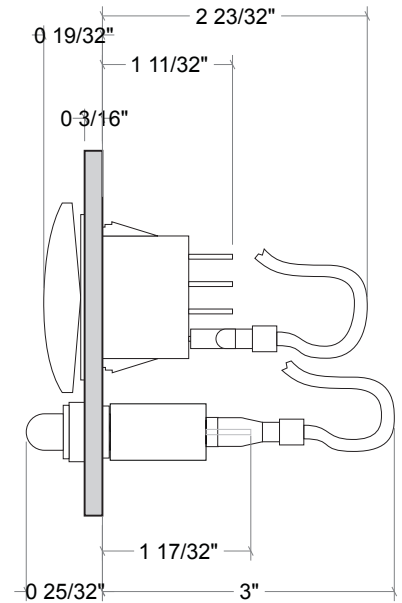
- KEY**
- Blue Cut through
  - Green Components, behind
  - Black Components, front
  - Orange Callouts, Notes
  - Yellow Pocket, Rear
  - ON Latching
  - (ON) Momentary
  - ⊙ Pan Head
  - ⊙ Countersink
  - ⊙ Drill In Accordance With Customer Template



4695 Franchise St.  
Charleston, SC 29418  
(843) 297-8348  
sales@newwiremarine.com



**SIDE VIEW**



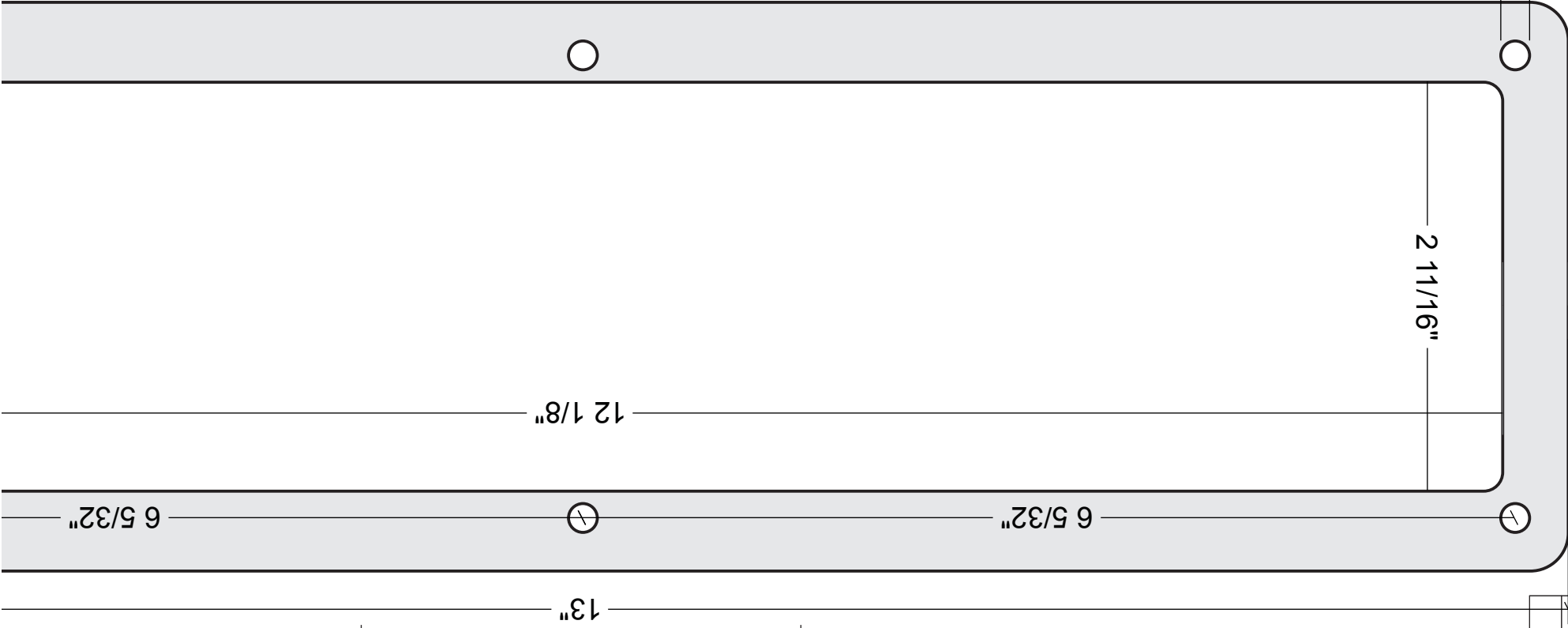
NWM Part #:	<b>NWM1100</b>	
NWM SKU:		
Designed:	Name:	Date:
Drawn:		
Approved:		

**DRAWINGS MAY NOT BE TO SCALE**



REV	DATE	DESCRIPTION	INT

Use marks to align template when printed on two letter sizes sheets of paper



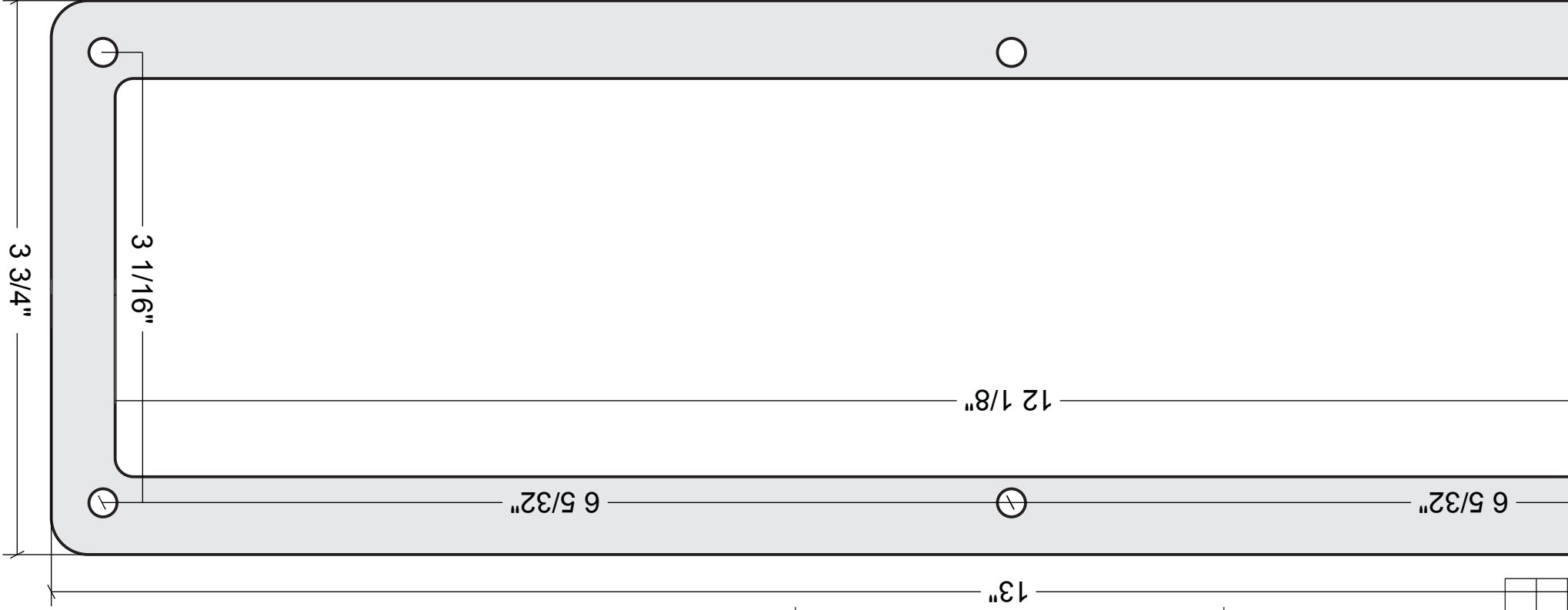
Use marks to align template when printed on two letter sizes sheets of paper



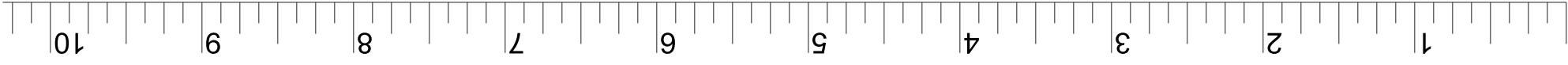
Test against ruler to ensure proper size

Part #	NWM1100
Rev #	1
Rev Date	09/18/24

Use marks to align template when printed on two letter sizes sheets of paper



Use marks to align template when printed on two letter sizes sheets of paper

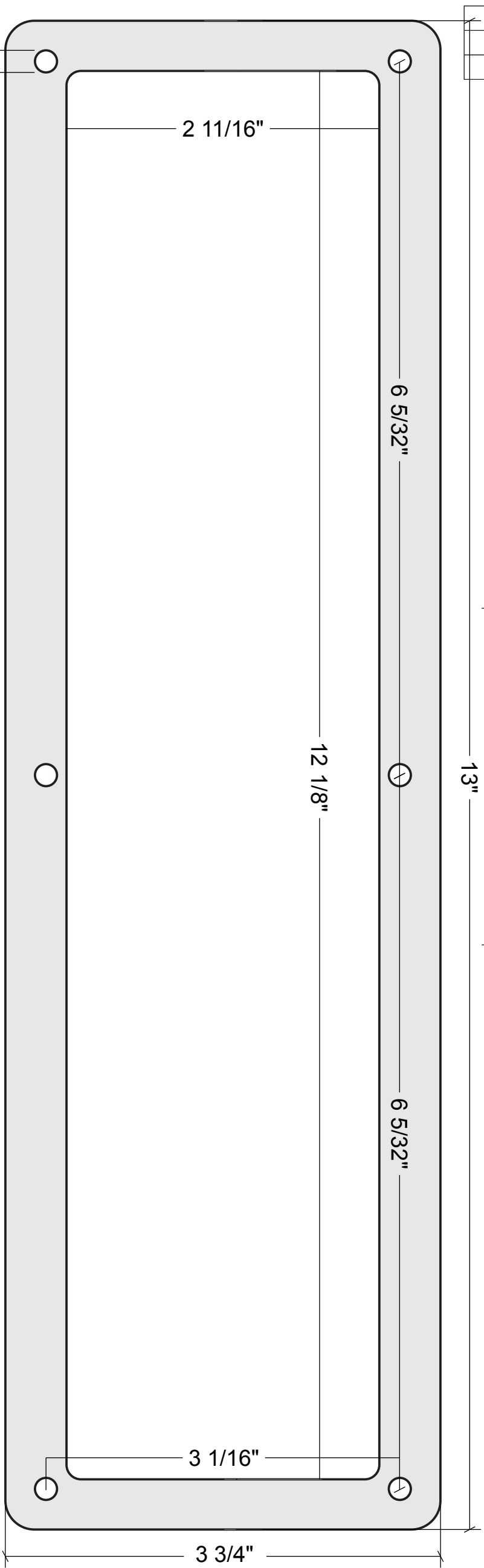


Test against ruler to ensure proper size

Part #	NWM1100
Rev #	1
Rev Date	09/18/24

Rev Date	09/18/24
Rev #	1
Part #	NWM1100

Use marks to align template when printed on two letter sizes sheets of paper



Use marks to align template when printed on two letter sizes sheets of paper



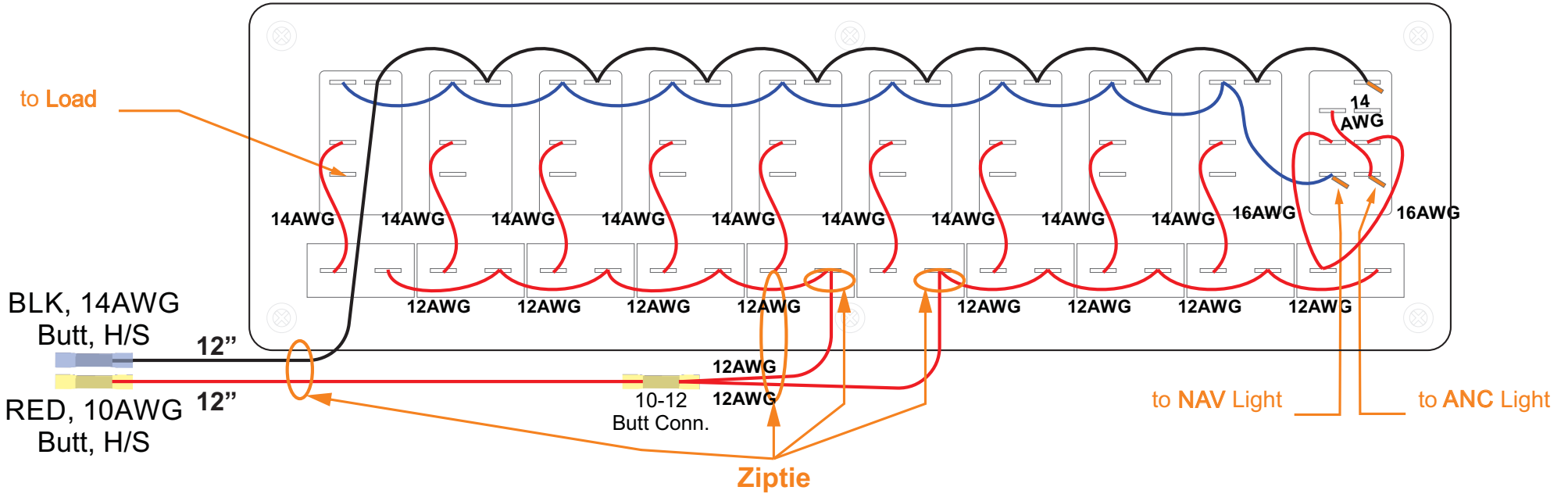
Test against ruler to ensure proper size

- KEY**
- Blue Cut through
  - Green Components, behind
  - Black Components, front
  - Orange Callouts, Notes
  - Yellow Pocket, Rear
  - ON Latching
  - (ON) Momentary
  - ⊙ Pan Head
  - ⊙ Countersink
  - ⊙ Drill In Accordance With Customer Template



4695 Franchise St.  
Charleston, SC 29418  
(843) 297-8348  
sales@newwiremarine.com

## Viewed from Rear



NWM Part #:	NWM1100	
NWM SKU:		
Designed:	Name:	Date:
Drawn:		
Approved:		

DRAWINGS MAY  
NOT BE TO SCALE

	REV	DATE	DESCRIPTION	INT
REVISIONS				