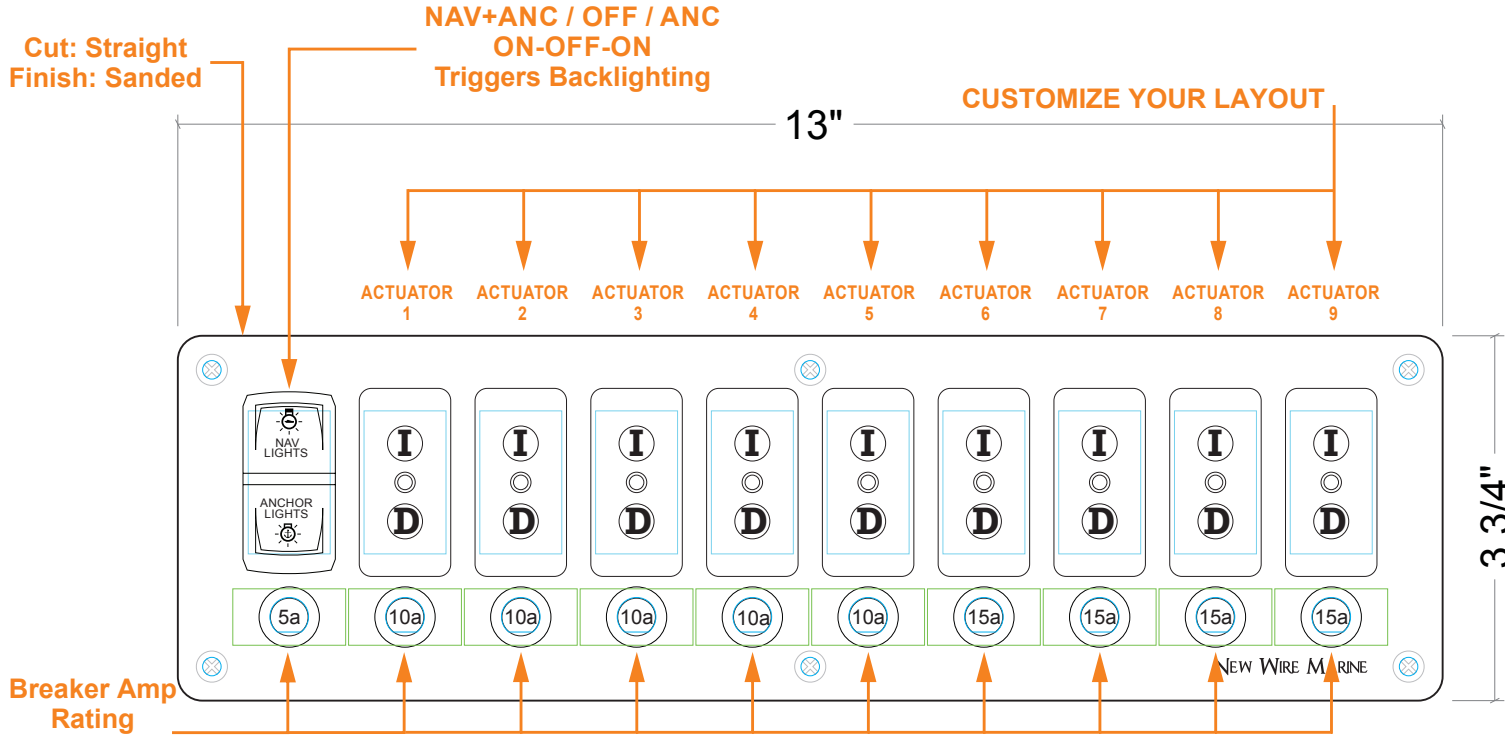


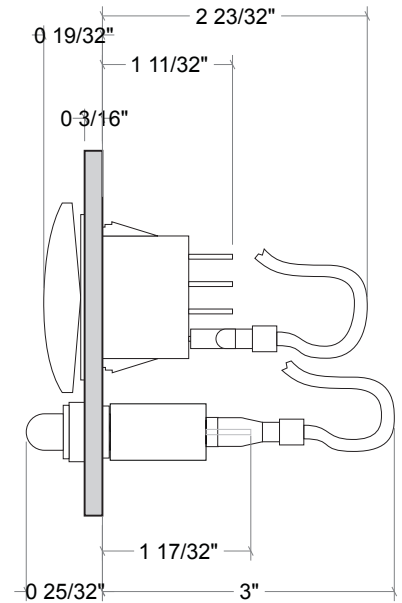
- KEY**
- Blue Cut through
 - Green Components, behind
 - Black Components, front
 - Orange Callouts, Notes
 - Yellow Pocket, Rear
 - ON Latching
 - (ON) Momentary
 - ⊙ Pan Head
 - ⊙ Countersink
 - ⊙ Drill In Accordance With Customer Template



4695 Franchise St.
Charleston, SC 29418
(843) 297-8348
sales@newwiremarine.com



SIDE VIEW



NWM Part #:	NWM1101	
NWM SKU:		
Designed:	Name:	Date:
Drawn:		
Approved:		

DRAWINGS MAY NOT BE TO SCALE

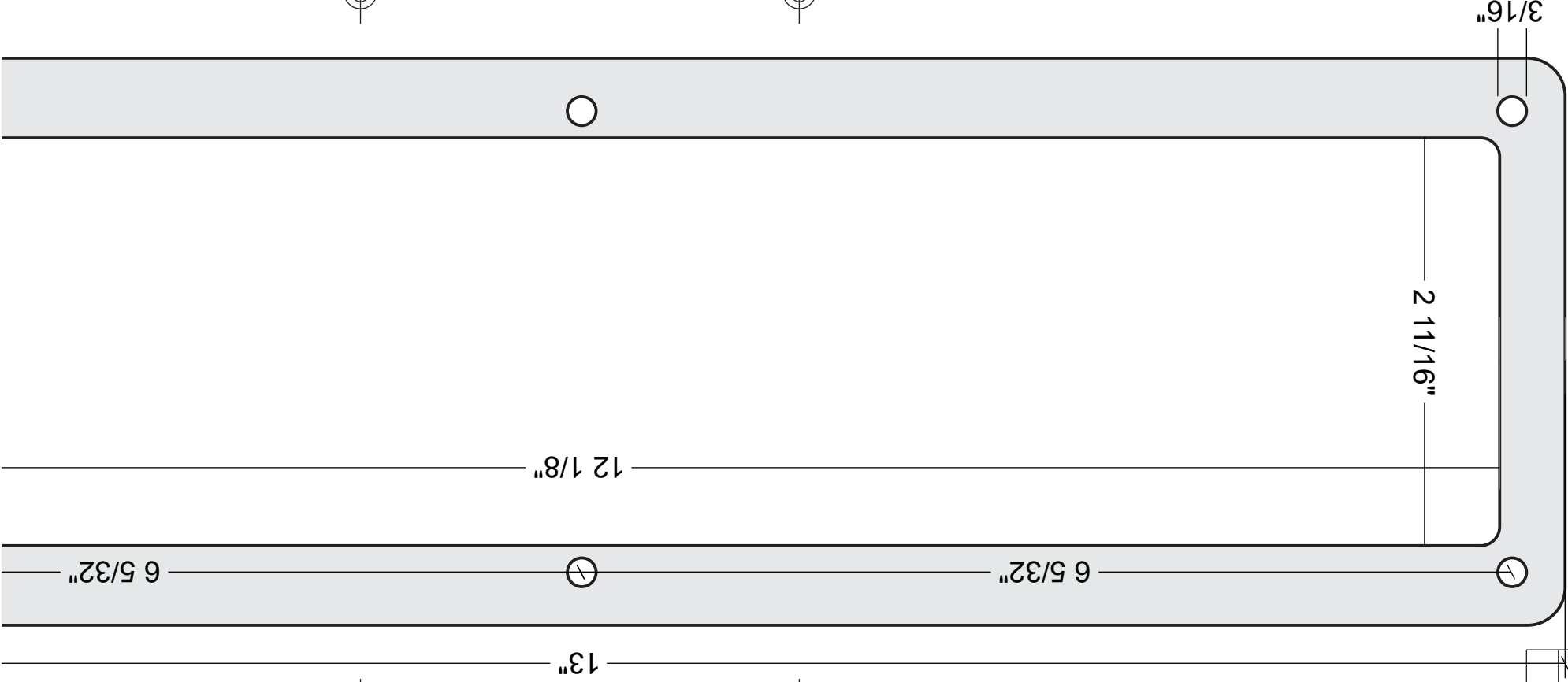
SWITCH TYPE



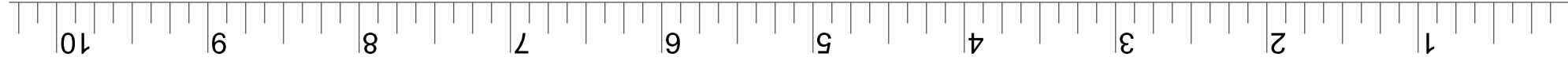
Blue LED Backlit
20a Max Rating

REVISIONS	REV	DATE	DESCRIPTION	INT

Use marks to align template when printed on two letter sizes sheets of paper



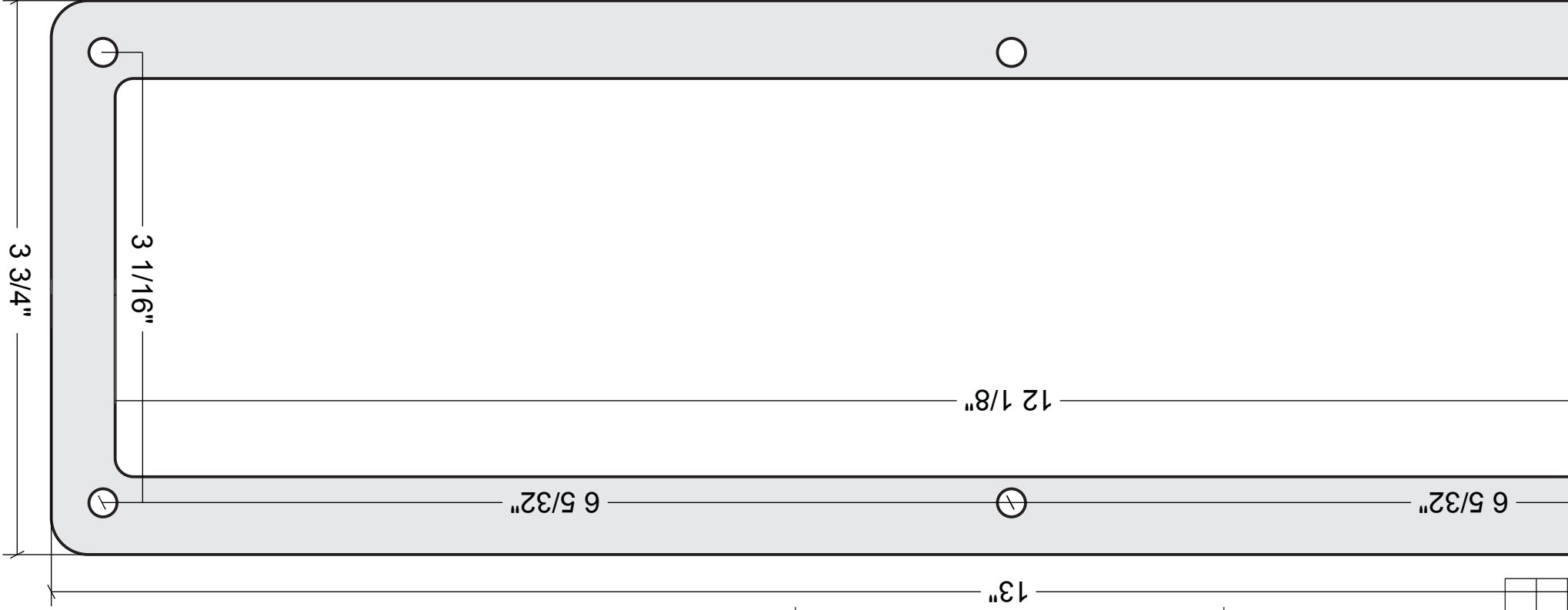
Use marks to align template when printed on two letter sizes sheets of paper



Test against ruler to ensure proper size

Part #	NWM1101
Rev #	1
Rev Date	09/18/24

Use marks to align template when printed on two letter sizes sheets of paper



Use marks to align template when printed on two letter sizes sheets of paper

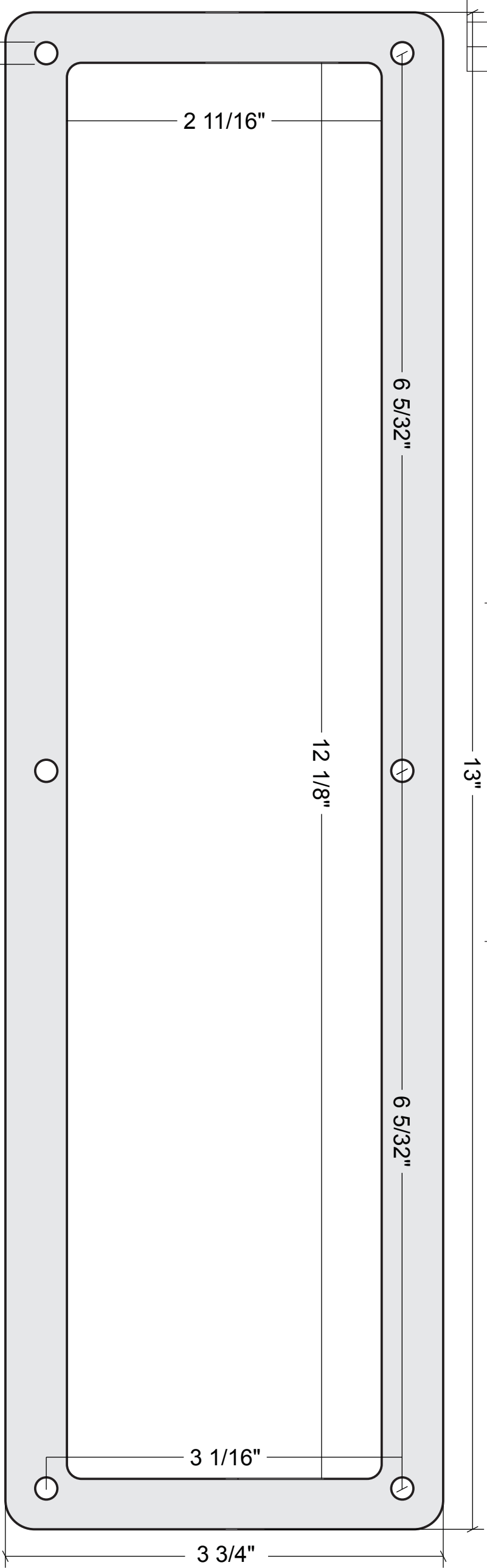
Test against ruler to ensure proper size



Part #	NWMM1101
Rev #	1
Rev Date	09/18/24

Part #	NWM1101	Rev #	1	Rev Date	09/18/24
--------	---------	-------	---	----------	----------

Use marks to align template when printed on two letter sizes sheets of paper



Use marks to align template when printed on two letter sizes sheets of paper



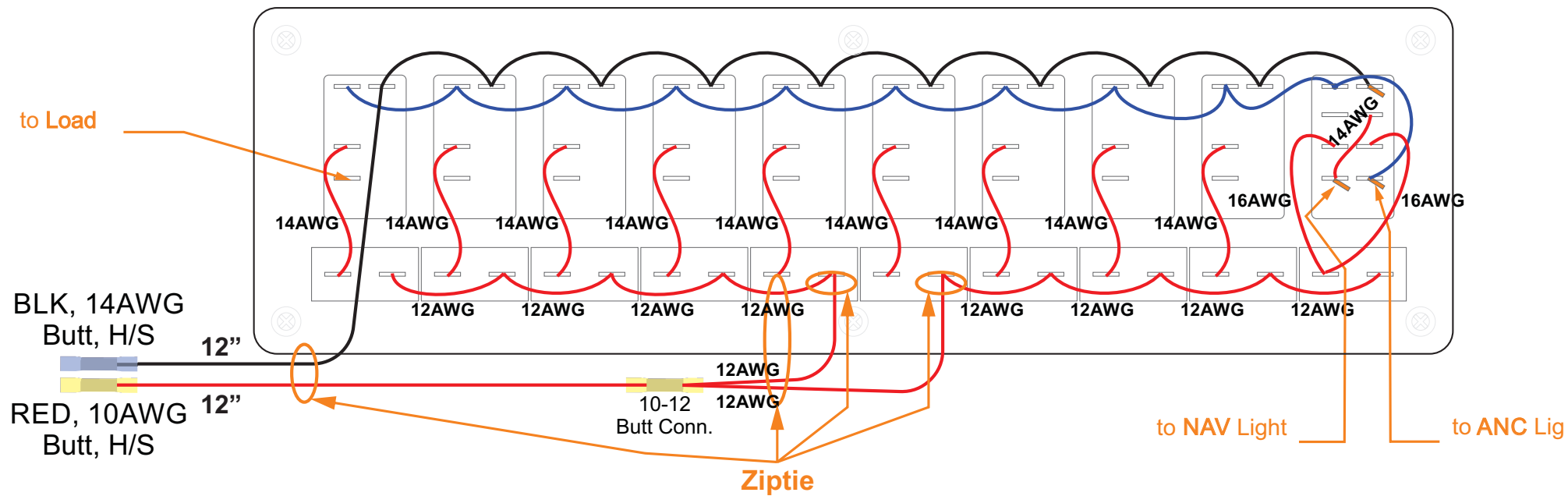
Test against ruler to ensure proper size

- KEY**
- Blue Cut through
 - Green Components, behind
 - Black Components, front
 - Orange Callouts, Notes
 - Pocket, Rear
 - ON Latching
 - (ON) Momentary
 - ⊙ Pan Head
 - ⊙ Countersink
 - ⊙ Drill In Accordance With Customer Template



4695 Franchise St.
Charleston, SC 29418
(843) 297-8348
sales@newwiremarine.com

Viewed from Rear



NWM Part #:	NWM1101	
NWM SKU:		
Designed:	Name:	Date:
Drawn:		
Approved:		

DRAWINGS MAY NOT BE TO SCALE

REVISIONS	REV	DATE	DESCRIPTION	INT