

- KEY**
- Blue Cut through
  - Green Components, behind
  - Black Components, front
  - Orange Callouts, Notes
  - Yellow Pocket, Rear
  - ON Latching
  - (ON) Momentary
  - ⊗ Pan Head
  - ⊙ Countersink
  - ⊕ Drill In Accordance With Customer Template

CUSTOM DASH  
**NEW WIRE**  
 PANELS  
 4695 Franchise St.  
 (843) 297-8348  
 sales@newwiremarine.com

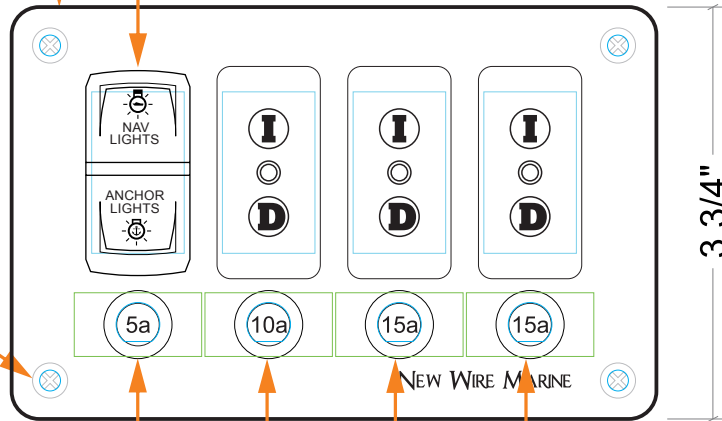
**NAV+ANC / OFF / ANC  
 ON-OFF-ON  
 Triggers Backlighting**

**CUSTOMIZE YOUR LAYOUT**

**Cut: Straight  
 Finish: Sanded**

5 7/8"

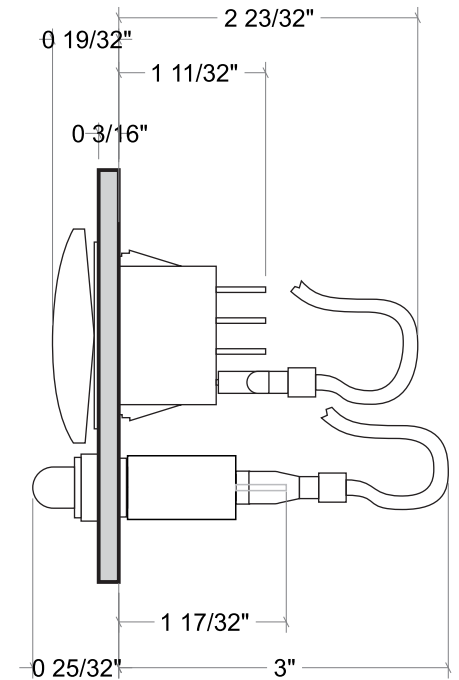
ACTUATOR 1    ACTUATOR 2    ACTUATOR 3



**#8 Screwholes  
 (4 PL)**

**Breaker Amp  
 Rating**

**SIDE VIEW**



NWM Part #:	<b>NWM1135</b>	
NWM SKU:		
Designed:	Name:	Date:
Drawn:		
Approved:		

**DRAWINGS MAY  
 NOT BE TO SCALE**

**SWITCH TYPE**

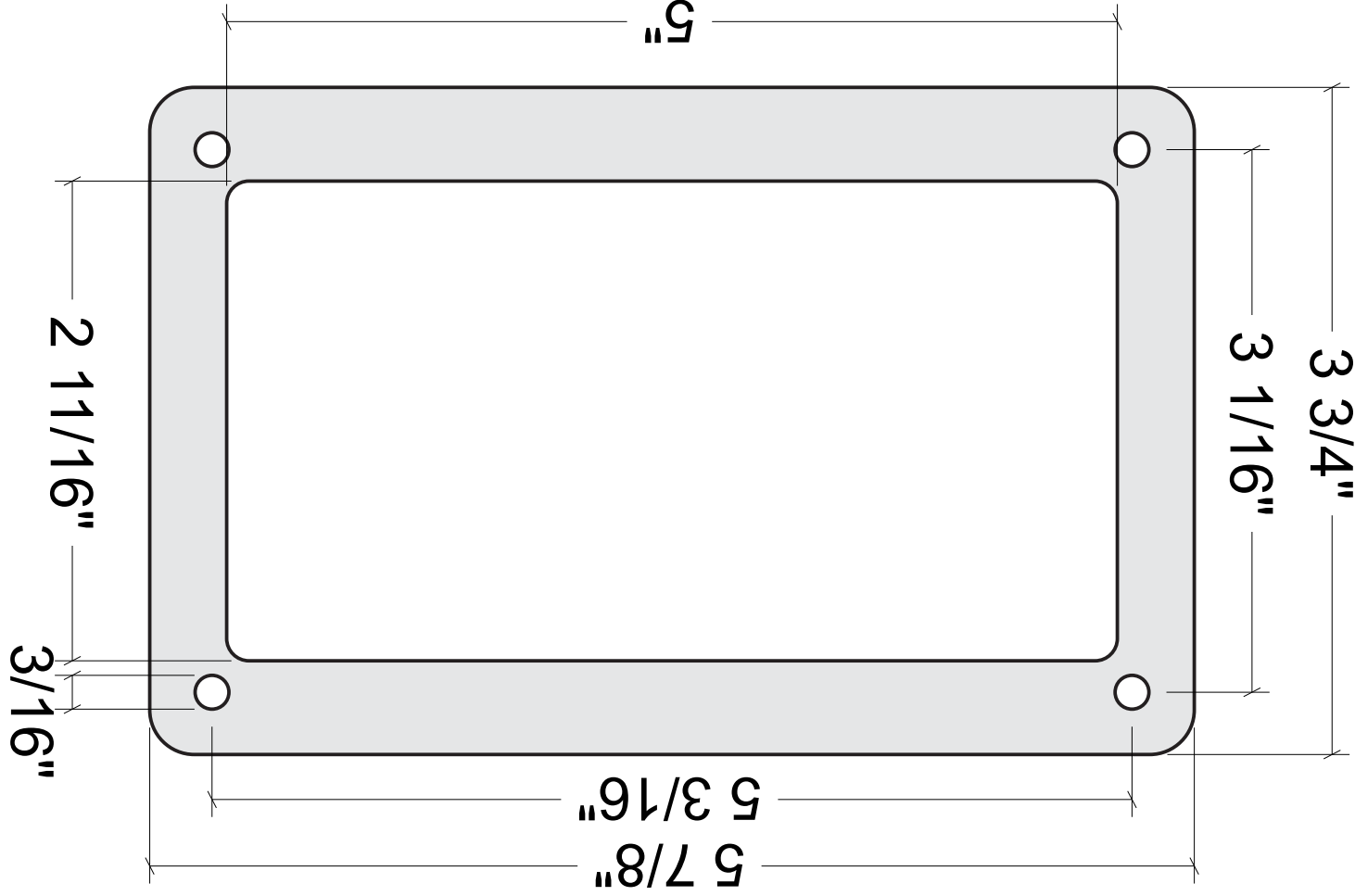


Blue LED Backlit  
 20a Max Rating

REVISIONS	DATE	
	REV	DATE



4695 Franchise St.  
 Charleston, SC 29418  
 (843) 297-8348  
 sales@newwiremarine.com



Test against ruler to ensure proper size



Part #	NWMM1135
Rev #	1
Rev Date	09/18/24

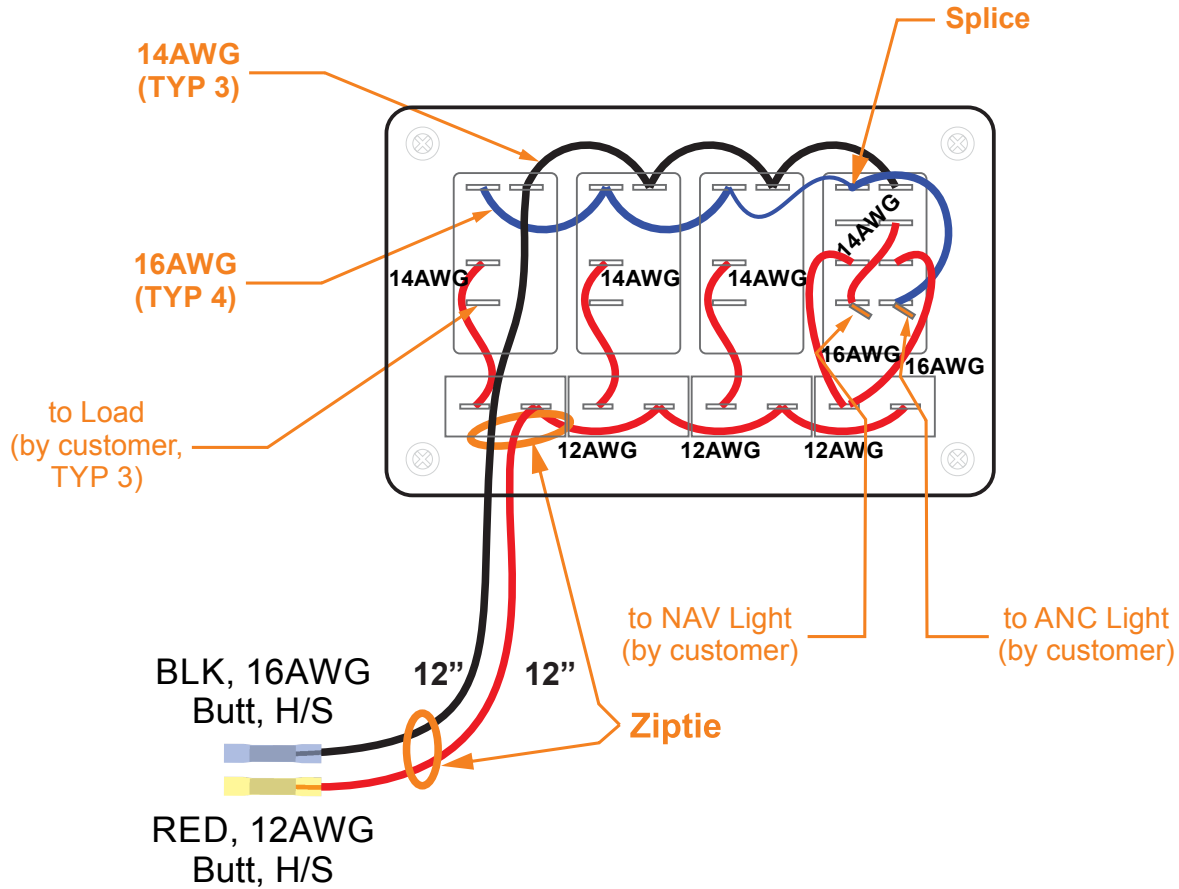
Drawing printed to scale on standard 8.5"x11" paper

- KEY**
- Blue Cut through
  - Green Components, behind
  - Black Components, front
  - Orange Callouts, Notes
  - Yellow Pocket, Rear
  - ON Latching
  - (ON) Momentary
  - ⊙ Pan Head
  - ⊙ Countersink
  - ⊙ Drill In Accordance With Customer Template



4695 Franchise St.  
Charleston, SC 29418  
(843) 297-8348  
sales@newwiremarine.com

### Viewed from Rear



NWM Part #:	<b>NWM1135</b>	
NWM SKU:		
Designed:	Name:	Date:
Drawn:		
Approved:		

**DRAWINGS MAY NOT BE TO SCALE**

**SWITCH TYPE**



Blue LED Backlit  
20a Max Rating

REVISONS	REV	DATE	DESCRIPTION	INT