



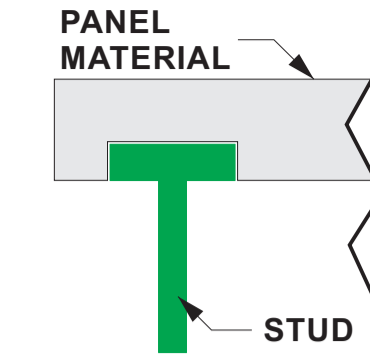
4695 Franchise St.
Charleston, SC 29418
(843) 297-8348
sales@newwiremarine.com

DESIGN KEY

- Blue Indicates a Cut through panel
- Green Indicates there is Component on the back of panel
- Black Indicates there is Component on the front of panel
- Orange Indicates "Callouts" or "Notes" regarding the drawing
- Yellow Indicates a Pocket on the back of the panel

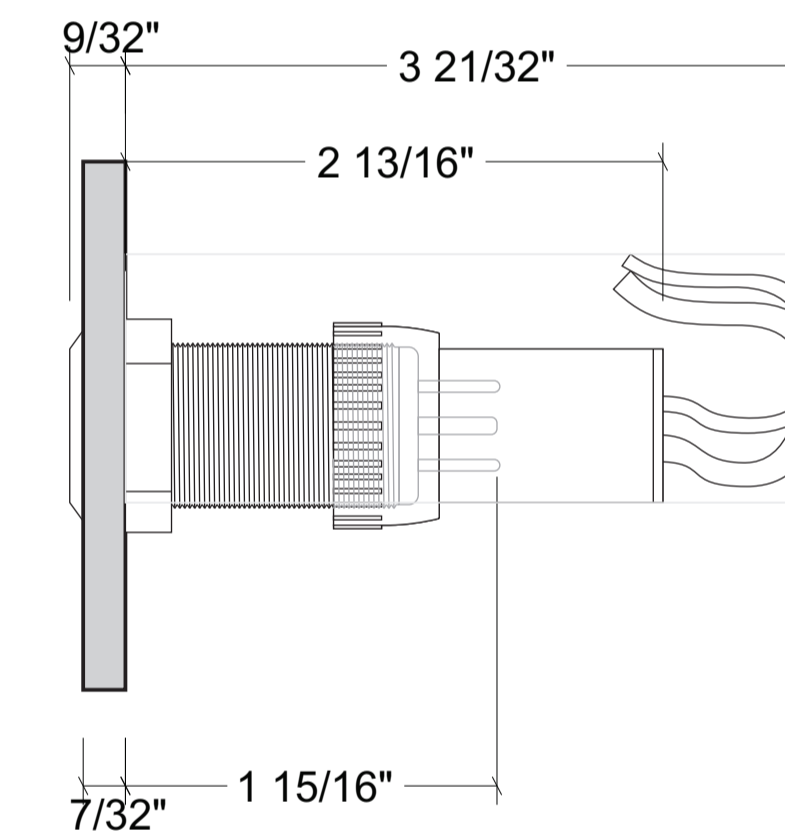
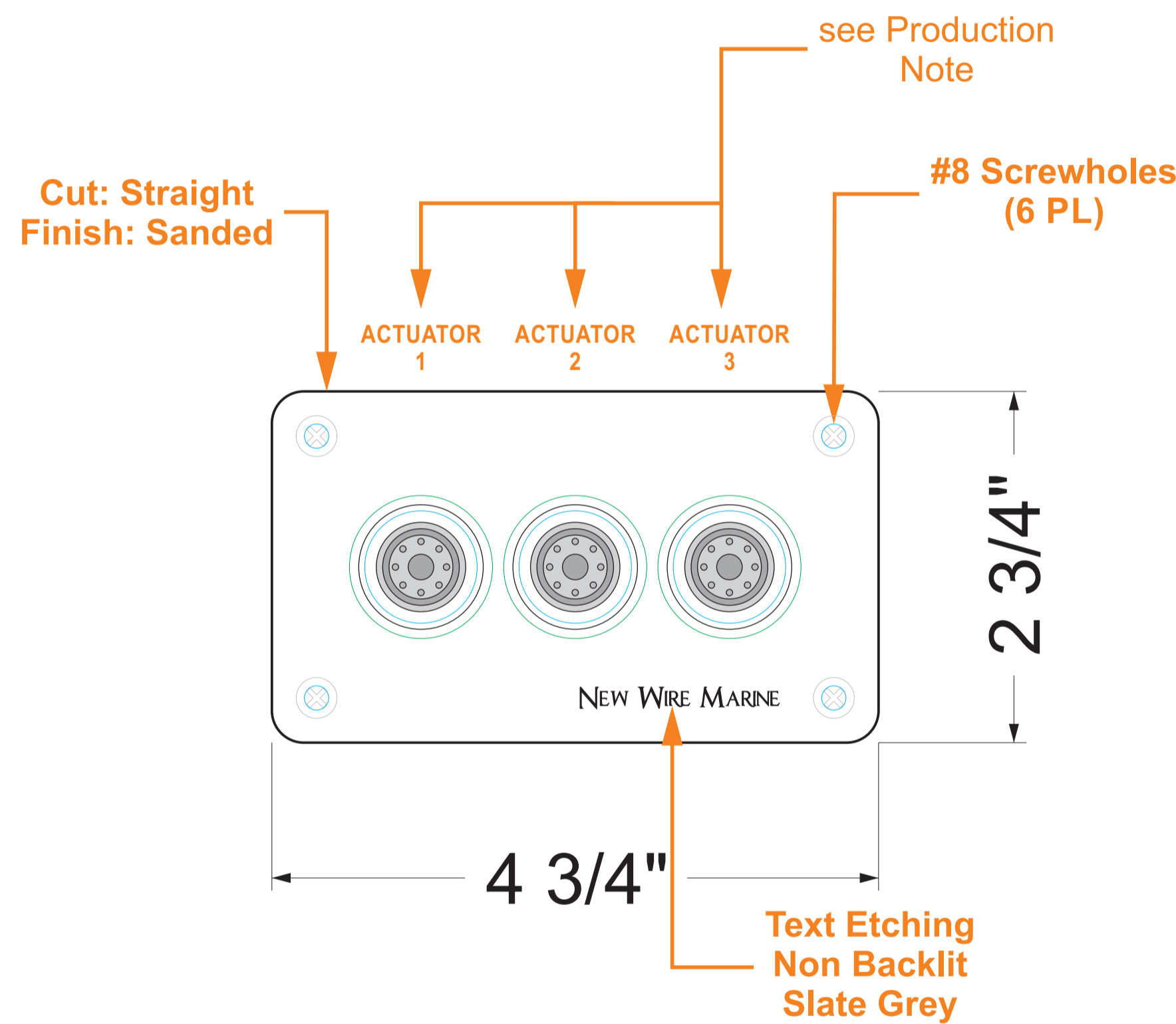
- All Switch Types without callouts are ON-OFF
- ON Indicates a Switch that is latching (stays on without holding)
- (ON) Indicates a Switch that is momentary (stays on only if held in position)
- ⊙ Indicates a Pan Head through hole
- ⊗ Indicates a Countersink through hole

Section Detail



RESERVATIONS / ISSUES

None



Customer: NWM

Part #: _____

Panel Color: LuxMatte

Core Color: Black

Thickness: 1/4" LuxMatte

MATERIAL



SWITCH TYPE



WIRING

Wiring Package: Fully Wired

Voltage Rating: 12V

Options: H/S

(See additional wiring details above)

PRODUCTION CALLOUTS

<p>CUT & FINISH</p> <p>Cut: <u>Straight</u></p> <p>Finish: <u>Sanded</u></p> <p>Fitment: <input type="checkbox"/> Yes <input checked="" type="checkbox"/> No</p>	<p>ETCHING</p> <p><input checked="" type="checkbox"/> Panel <input type="checkbox"/> IINS</p> <p>Type: <u>CO2</u></p>	<p>STUDS</p> <p><input type="checkbox"/> Yes <input checked="" type="checkbox"/> No</p> <p>Type: _____</p> <p>QTY: _____</p>	<p>QA</p> <p><u>No</u> Items</p>	<p><u>Shipped Loose:</u></p> <p><u>See Invoice</u></p>
---	--	---	---	--

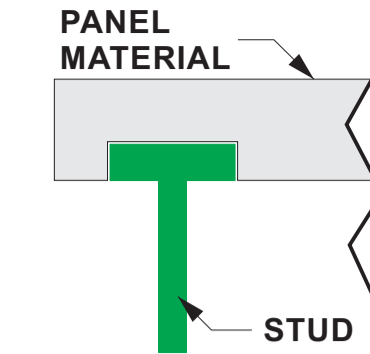


4695 Franchise St.
Charleston, SC 29418
(843) 297-8348
sales@newwiremarine.com

DESIGN KEY

- Blue Indicates a Cut through panel
 - Green Indicates there is Component on the back of panel
 - Black Indicates there is Component on the front of panel
 - Orange Indicates "Callouts" or "Notes" regarding the drawing
 - Yellow Indicates a Pocket on the back of the panel
- All Switch Types without callouts are ON-OFF
 - ON Indicates a Switch that is latching (stays on without holding)
 - (ON) Indicates a Switch that is momentary (stays on only if held in position)
 - ⊕ Indicates a Pan Head through hole
 - ⊗ Indicates a Countersink through hole

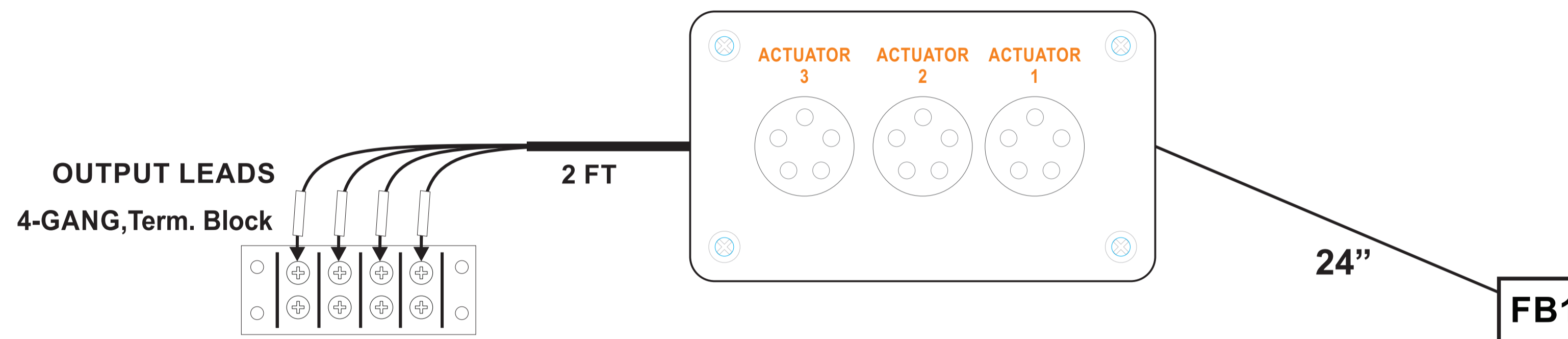
Section Detail



RESERVATIONS / ISSUES

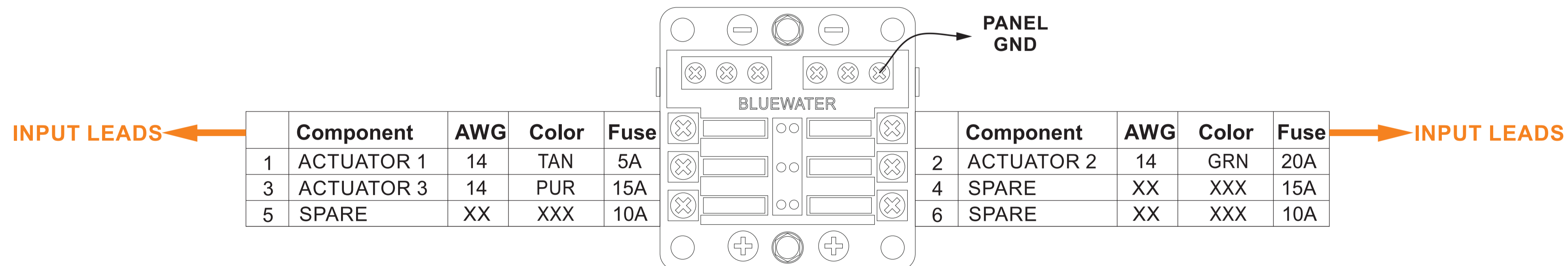
None

REAR VIEW (NTS)



BACKLIGHT (BLU, 18AWG)
 ACTUATOR 3 (PUR, 14AWG)
 ACTUATOR 2 (GRN, 14AWG)
 ACTUATOR 1 (TAN, 14AWG)

FB1 - Fuse Block 6-Gang



Customer: NWM
Part #: _____

WIRING

Wiring Package: Fully Wired
Voltage Rating: 12V
Options: H/S

(See additional wiring details above)



